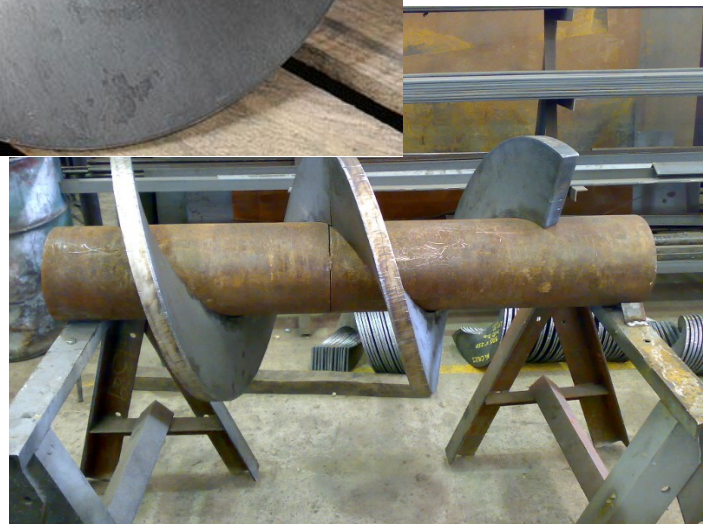
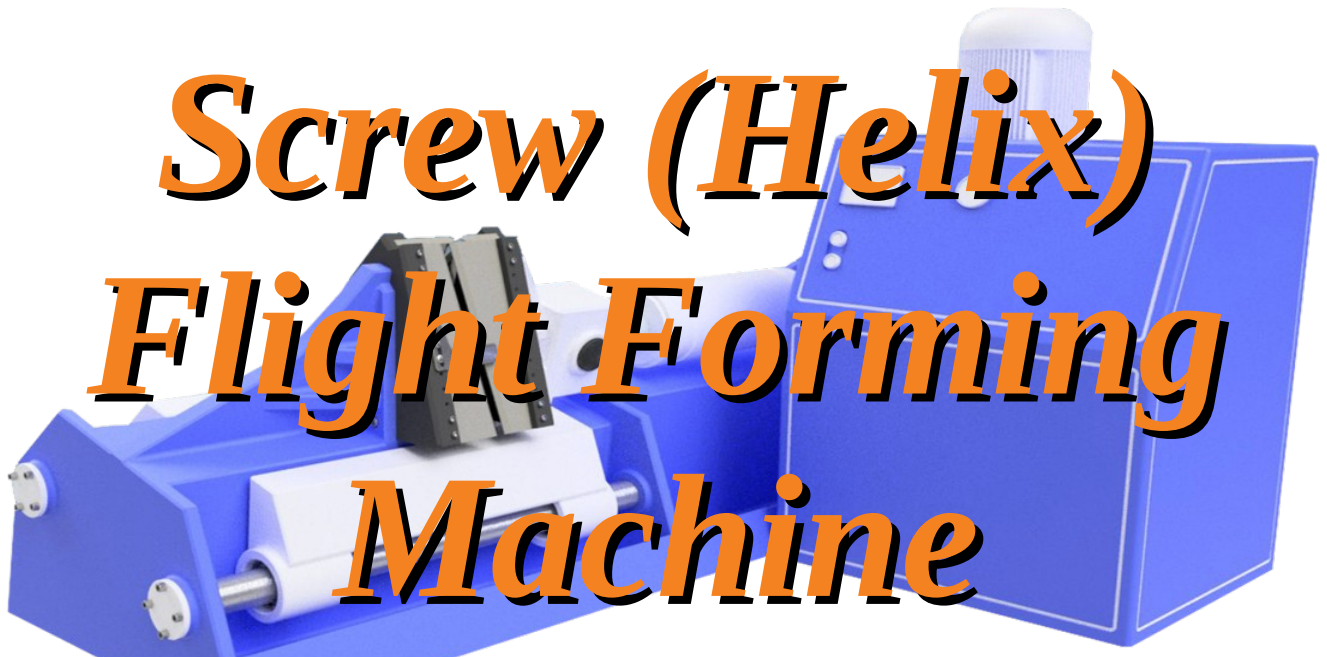


Screw (Helix) Flight Forming Machine

Screw (Helix) Flight Forming Machine



Screw (Helix) Flight Forming Machine

Super quality and effective

With Sufra Engineering SFM software and Ultra quality Screw Forming Machine you can form helixes of different specs faster, easier and in a cost effective way with no waste. With our machine you can be formed with material thickness ranging from 1,5 mm to 32 mm, maximum height of the flange 680 mm, the maximum step of the flange 700 mm giving ideal coverage for a professional manufacturing company targeting across the range market segments and applications.

This equipment can be used in factories producing screw augers, screws for drills, screw conveyers. In addition, the machine can be of interest for enterprises that use screw conveyors, screw mixers and crushers in their production, in agricultural enterprises, from combines to elevators.

More than 90% of manufacturers face such problems as:

- At the output turn out screw curves,
- Permanent matrix replacement is required,
- Low production speed,
- The problem is to bend a greater thickness and a different height of the flange.

Our equipment solves all these problems:

- Produce any screw less than 1 minute (for simple items), without replacing the matrix,
- Quality of true from helices and accurate fit to the shaft,
- Expanded range of adjustability,
- You will not have problems with welding,
- You automate and speed up your production,
- No waste.

In our machine we use replaceable hardened plates, through which screw spirals of unprecedented quality are manufactured, regardless of height, external diameter, internal diameter, material or component.

The machine will calculate and install corresponding outputs for measurement pressure and gaps stable production of screw all the time – every time.

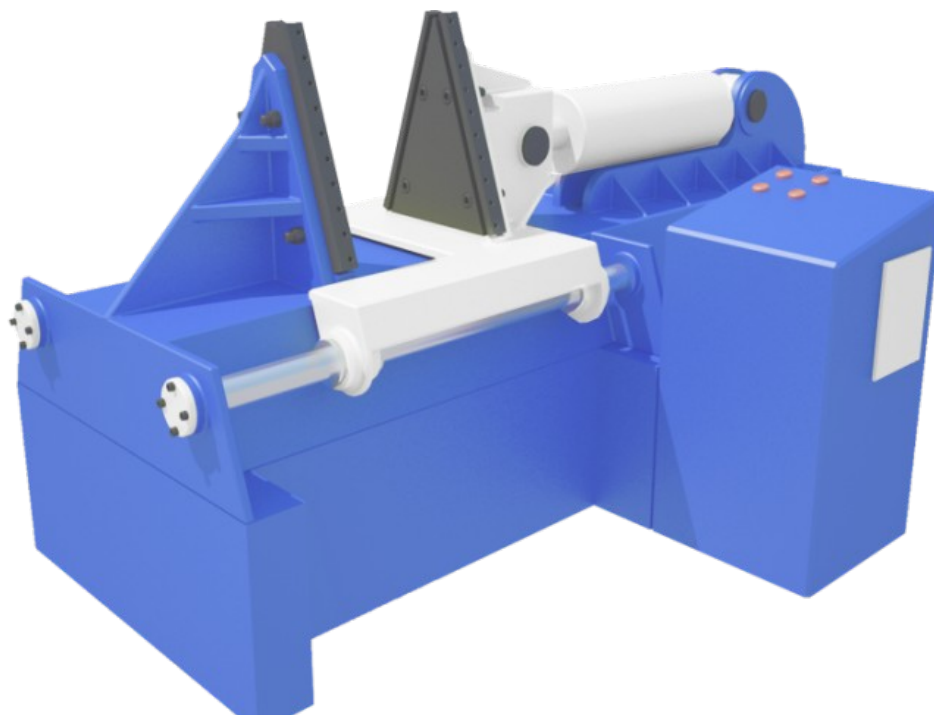
We also envisaged a left-sided and right-side control position for the operator machine.

Sufra Engineering SFM software is an integral component of our machine, it makes an accurate calculation of all parameters that are responsible for the best quality of the product at the output. Our program allows you to enter ready-made parameters for instant calculation of the necessary dimensions of the geometric accuracy of the product.

At the exit you will get an ideal screw!

Screw (Helix) Flight Forming Machine

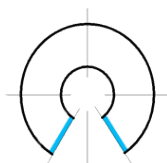
SFM-16T



Technical data

	Name	Value
1	Overall dimensions of the press, mm	2200 / 900 / 1000
2	Overall dimensions of the control unit, mm	450 / 450 / 800
3	Mounting unit weight, kg	Not more than 1500
4	Working pressure in hydraulic system, MPa	12
5	Maximum pressure in hydraulic system, MPa	16
6	Nominal press force, tons	16
7	Maximum short-term effort, tons	20
8	Voltage of the network, V	380
9	Power Consumption, kW	3,5
10	Maximum height of the flange, mm *	300
11	Maximum flange thickness, mm	10
12	The maximum step of the flange, mm *	320

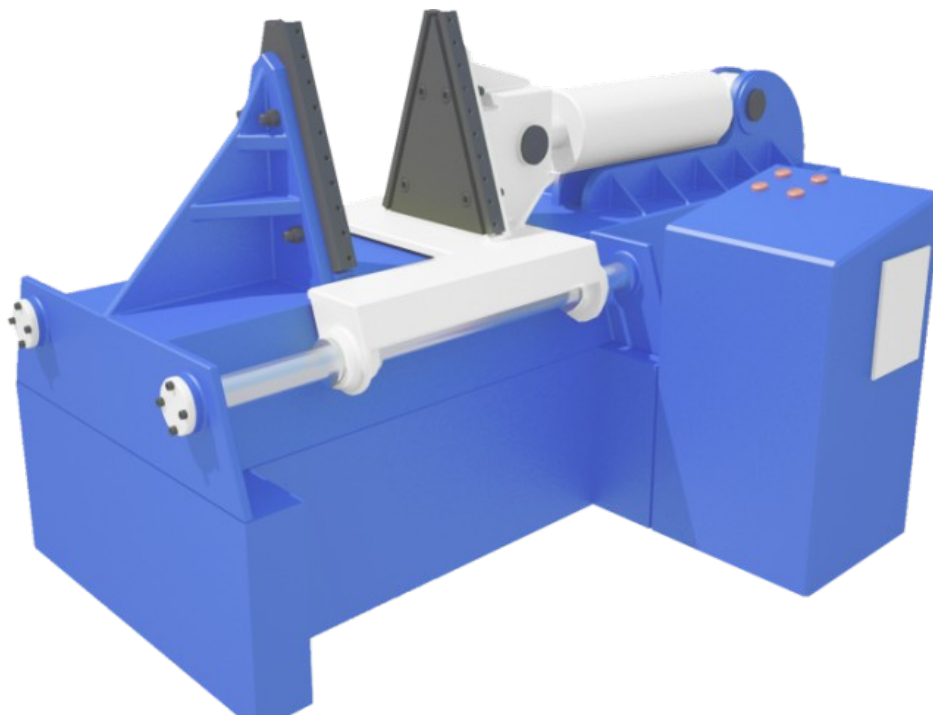
* The size depends on the type of matrix knives installed.



The height of flange is highlighted in blue.

Screw (Helix) Flight Forming Machine

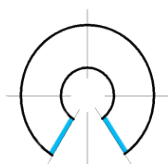
SFM-35T



Technical data

	Name	Value
1	Overall dimensions of the press, mm	2420 / 960 / 1100
2	Overall dimensions of the control unit, mm	450 / 450 / 800
3	Mounting unit weight, kg	Not more than 2000
4	Working pressure in hydraulic system, MPa	17
5	Maximum pressure in hydraulic system, MPa	22
6	Nominal press force, tons	35
7	Maximum short-term effort, tons	40
8	Voltage of the network, V	380
9	Power Consumption, kW	5,5
10	Maximum height of the flange, mm *	430
11	Maximum flange thickness, mm	16
12	The maximum step of the flange, mm *	460

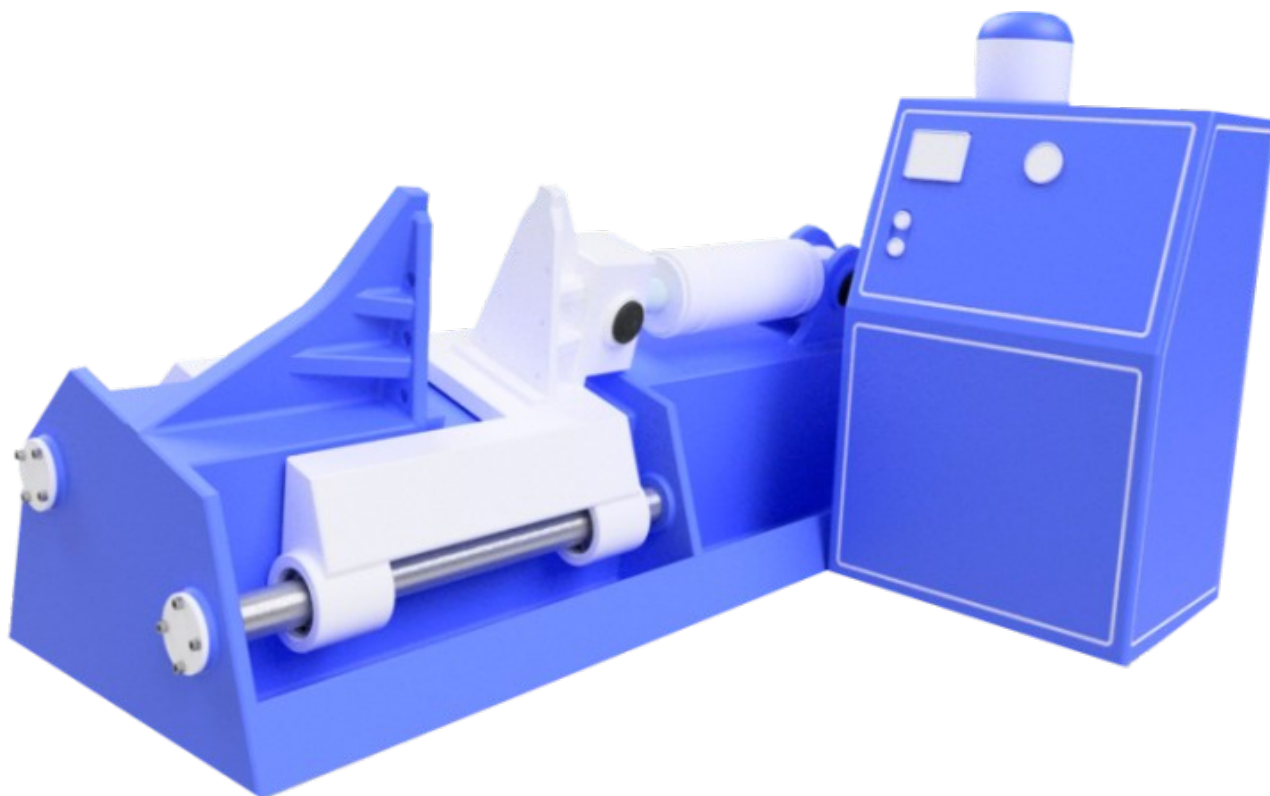
* The size depends on the type of matrix knives installed.



The height of flange is highlighted in blue.

Screw (Helix) Flight Forming Machine

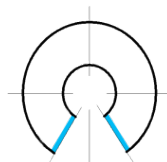
SFM-65T



Technical data

	Name	Value
1	Overall dimensions of the press, mm	2950 / 1150 / 1200
2	Overall dimensions of the control unit, mm	1000 / 800 / 1650
3	Mounting unit weight, kg	Not more than 4000
4	Working pressure in hydraulic system, MPa	22
5	Maximum pressure in hydraulic system, MPa	27
6	Nominal press force, tons	65
7	Maximum short-term effort, tons	69
8	Voltage of the network, V	380
9	Power Consumption, kW	15
10	Maximum height of the flange, mm *	600
11	Maximum flange thickness, mm	25
12	The maximum step of the flange, mm *	600

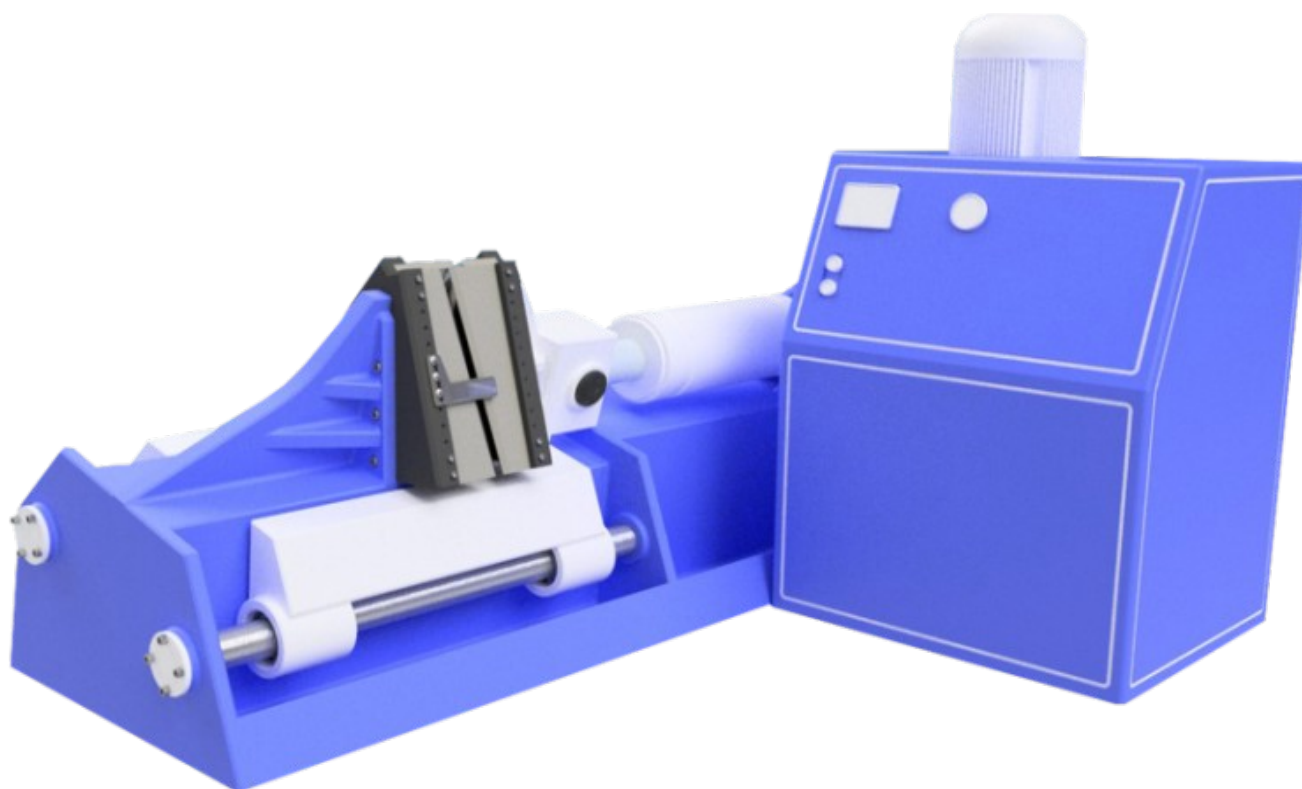
* The size depends on the type of matrix knives installed.



The height of flange is highlighted in blue.

Screw (Helix) Flight Forming Machine

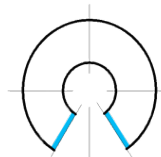
SFM-100T



Technical data

	Name	Value
1	Overall dimensions of the press, mm	2950 / 1150 / 1800
2	Overall dimensions of the control unit, mm	1000 / 800 / 1650
3	Mounting unit weight, kg	Not more than 7000
4	Working pressure in hydraulic system, MPa	21
5	Maximum pressure in hydraulic system, MPa	25
6	Nominal press force, tons	100
7	Maximum short-term effort, tons	110
8	Voltage of the network, V	380
9	Power Consumption, kW	22
10	Maximum height of the flange, mm *	680
11	Maximum flange thickness, mm	32
12	The maximum step of the flange, mm *	1200

* The size depends on the type of matrix knives installed.



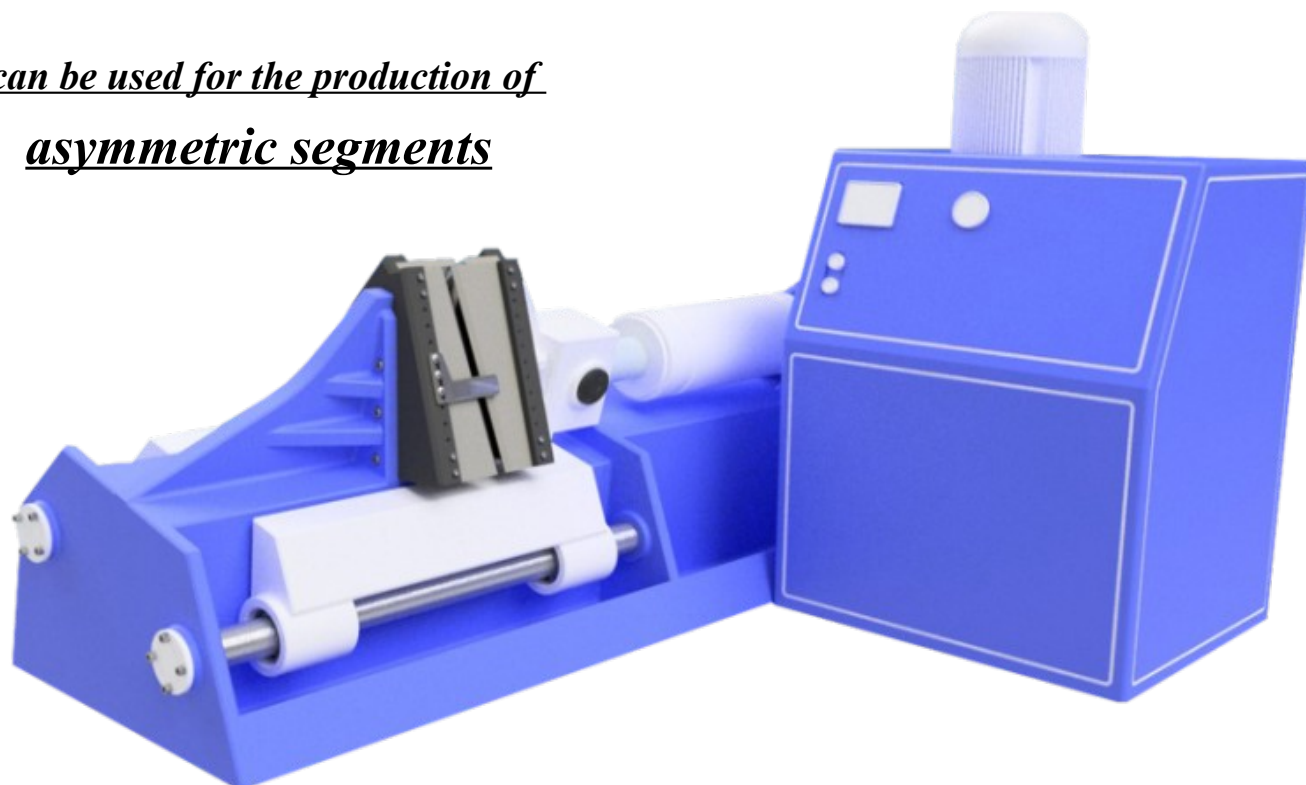
The height of flange is highlighted in blue.

Screw (Helix) Flight Forming Machine

SFM-100T Profi

with automatic system for rotation and holding parts

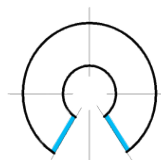
can be used for the production of
asymmetric segments



Technical data

	Name	Value
1	Overall dimensions of the press, mm	2950 / 1150 / 1800
2	Overall dimensions of the control unit, mm	1000 / 800 / 1650
3	Mounting unit weight, kg	Not more than 9000
4	Working pressure in hydraulic system, MPa	21
5	Maximum pressure in hydraulic system, MPa	25
6	Nominal press force, tons	105
7	Maximum short-term effort, tons	110
8	Voltage of the network, V	380
9	Power Consumption, kW	22
10	Maximum height of the flange, mm *	680
11	Maximum flange thickness, mm	32
12	The maximum step of the flange, mm *	1200

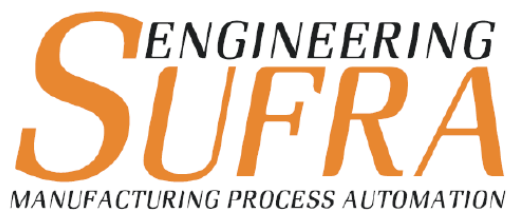
* The size depends on the type of matrix knives installed.



The height of flange is highlighted in blue.

Screw (Helix) Flight Forming Machine

Sufra Ltd • Your Partner in Innovation



www.sufracnc.eu
www.sufra.lt

Mob.: +370 671 87213, +370 686 74103
E-mail: info@sufracnc.eu, sufra@sufra.lt

- ✿ Thermal Cutting Machines
- ✿ Automatic Manufacturing Line
- ✿ Screw Flight Forming Machines
- ✿ Welding Robotic Solution
- ✿ Sheet Metal Working Machines
- ✿ Service & Technical Support

Verkių str. 35, LT-09109 Vilnius, Lithuania